

TP — Tie Plate

Material: Carbon Steel 1.0mm thick

Finish: 275 Galvanised



Size: See illustration on the right and table below

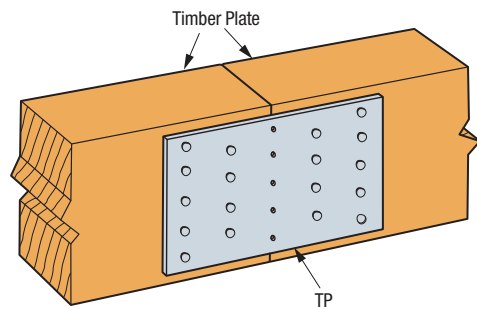
Features & Benefits

- A simple, versatile solution for a wide range of connections
- Ideal for reinforcing timber-to-timber connections on flat surface
- Staggered nail pattern for a secure connection that resists splitting
- Make stronger splices without additional timber or toenailing
- Quick and easy installation
- A range of sizes for any project

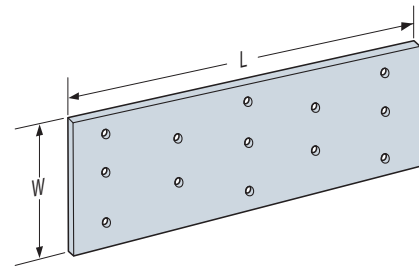
Installation

- Use Simpson Strong-Tie N8 Connector Nails or other 38mm x 3.32mm, 64mm x 3.32 nails

Construction Details



TP Timber Plate Connection



TP

TP Technical Data

Model No.	Dimensions (mm)		Number of Nail Holes
	W	L	
TP15	45	125	13