

# STC – Roof Truss Clip

**Material:** Carbon Steel 1.3mm thick

**Finish:** Z275 Galvanised

Corrosion Resistance Level  
LOW

**Size:** See illustration on the right

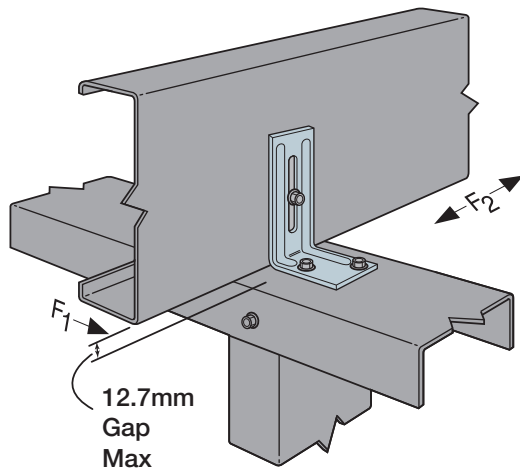
**Features & Benefits**

- Enables alignment control between roof truss and non-bearing wall
- Engineered swages for extra strength and to minimise deflections
- The slot allows for flexible installation and adjustability
- Quick and easy installation
- Install with Simpson Strong-Tie 8d common nails

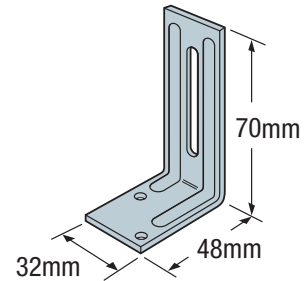
**Installation**

- Use all specified fasteners
- Install slot nails in the middle of the slot
- To allow vertical truss movement, nails should not be driven completely flush against the connector
- Products not intended for floor applications due to the frequency of floor joist deflections and potential for squeaks

**Construction Details**



**STC Installation**



**STC**

**STC Technical Data**

Model No.	Fasteners (No. – Length x Dia., mm)	
	Base	Slot
STC	2 – 38 x 3.32	1 – 38 x 3.32