

# AUB – Adjustable Post Base

**Material:** Carbon Steel, Stainless Steel

**Finish**

ZMAX® Galvanised



**Size:** See illustration on the right

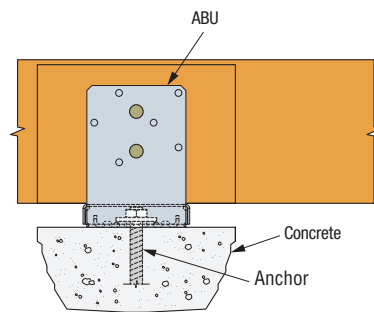
**Features & Benefits**

- The slotted base enables flexible positioning around the anchor bolt, making precise post placement easier
- The 25mm standoff meets code requirements and helps prevent rot at the end of the post in applications where weather or moisture are present
- The post can be fastened with either nail, bolts or Strong-Drive® SD Connector screws

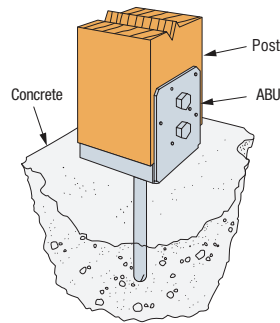
**Installation**

- Use all specified fasteners
- Post bases do not provide adequate resistance to prevent members from rotating about the base and therefore are not recommended for non-top supported installations (such as fences or unbraced carports)

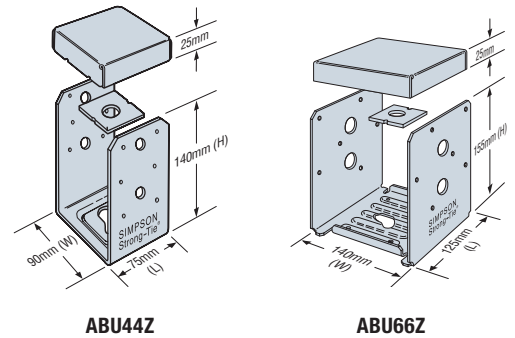
**Construction Details**



**ABU Beam Installation**



**ABU Base Post Installation**



**ABU44Z**

**ABU66Z**

**ABU Technical Data**

Model No.	Post Size (mm)	Material (mm)		Dimensions (mm)				Fasteners			Country	Design Capacity (kN)			
		Base Thickness	Strap Thickness	W	L	H	HB <sup>9</sup>	Anchor Dia (mm)	Nails (No. – Length x Dia., mm)	Bolts (No. – Dia., mm)		Uplift		Download <sup>10</sup>	
												Nails	Bolts	Floor	Roof
ABU44Z	90 x 90	1.6	2.7	90	75	140	45	16	12 – 75 x 3.75	2 – M12	AU	k <sub>t</sub> = 1.14 <b>10.23</b>	k <sub>t</sub> = 1.14 <b>8.66</b>	k <sub>t</sub> = 0.69 <b>36.20</b>	k <sub>t</sub> = 0.77 <b>36.20</b>
											NZ	k <sub>t</sub> = 1.0 <b>10.23</b>	k <sub>t</sub> = 1.0 <b>8.66</b>	k <sub>t</sub> = 0.80 <b>34.07</b>	k <sub>t</sub> = 0.80 <b>34.07</b>
ABU66Z	140 x 140	2.7	3.5	140	125	155	45	16	12 – 75 x 3.75	2 – M12	AU	k <sub>t</sub> = 1.14 <b>7.15</b>	k <sub>t</sub> = 1.14 <b>8.68</b>	k <sub>t</sub> = 0.69 <b>70.66</b>	k <sub>t</sub> = 0.77 <b>70.66</b>
											NZ	k <sub>t</sub> = 1.0 <b>6.73</b>	k <sub>t</sub> = 1.0 <b>7.15</b>	k <sub>t</sub> = 0.80 <b>66.50</b>	k <sub>t</sub> = 0.80 <b>66.50</b>

1. Design Capacity is the lesser of (1) the Characteristic Capacity multiplied by the Australian Capacity Factor, or the NZ Strength Reduction Factor ( $\phi$ ), and applicable the k modification factors following AS 1720.1 and NZS 3603 and (2) the Serviceability Capacity which is the load at 3.2mm joint slip. Design Capacity is the minimum of test data and structural joint calculation.
2. For Australia, the Capacity Factor ( $\phi$ ) is 0.85 for nails and screws for structural joints in a Category 1 application. Reduce tabulated values where other Category applications govern. For NZ, the Strength Reduction Factor ( $\phi$ ) is 0.80 for nails in lateral load and 0.70 for other fasteners.
3. Duration of Load Factor ( $k_t$ ) is as shown. Reduce Duration of Load Factor where applicable. Capacities may not be increased.
4. Timber species for joint design is seasoned Radiata Pine, which is Australia Joint Group JD4 per AS 1720.1 Table H2.4 and New Zealand Joint Group J5 per NZS 3603 Table 4.1.
5. Specifier to design concrete for uplift capacity.
6. Structural composite timber columns have sides that either show the wide face or the edges of the timber strands/veneers, known as the narrow face. Fasteners should be installed in the wide face.
7. Simpson Strong-Tie stainless-steel connectors require stainless-steel fasteners.
8. HB dimension is the distance from the bottom of the post up to the first bolt hole.
9. Downloads shall be reduced where limited by the capacity of the timber post.