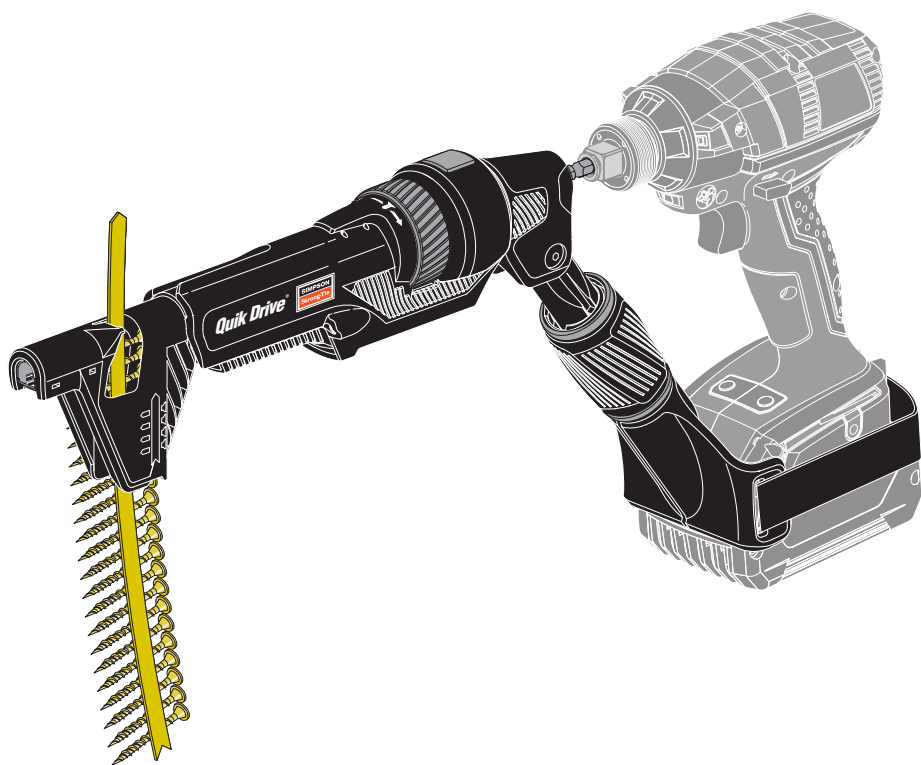


# Operator's Manual

**SIMPSON**  
**Strong-Tie**



**WARNING** — Read before operation

# Table of Contents

Safety Overview..... 3

Project PRO™ Features..... 4

Project PRO Tool Setup Steps..... 5

Project PRO Mandrel/Bit Replacement ..... 6-7

Limited Warranty ..... 7-8

# Safety Overview

## CAUTION

Safety and operation of the drill/impact driver motor are not considered in this manual. See the operating and safety instructions for the drill/impact driver motor used with the tool for drill/impact driver motor capabilities and operation.

Study this manual before operating the tool and understand the safety warnings and cautions. Keep the manual with the tool for reference.

## CAUTION

Eye protection that conforms to AS/NZS 1337.1:2010 and provides protection against flying particles both from the front and the side should be worn by the operator and others in the work area when loading, operating and servicing the tool. Eyewear without side shielding does not provide adequate protection.

## CAUTION

Additional safety protection will be required in some environments. Stay alert.

- The work area may include exposure to falling objects that could cause head injury.
- Noise levels could lead to hearing damage.
- Sharp objects could cause injury.
- A tripping hazard may be present if electric extension cords are being used.
- Dress appropriately when using the tool.

## Additional safety warnings

- Keep work area clean and well lit.
- Do not operate Project PRO™ system in dangerous environments.
- The use of the Project PRO System can cause sparks; do not use in the presence of flammable liquids, dust or gases.

## SAFETY STARTS WITH YOU

Visit our websites by scanning the appropriate QR code for additional information.

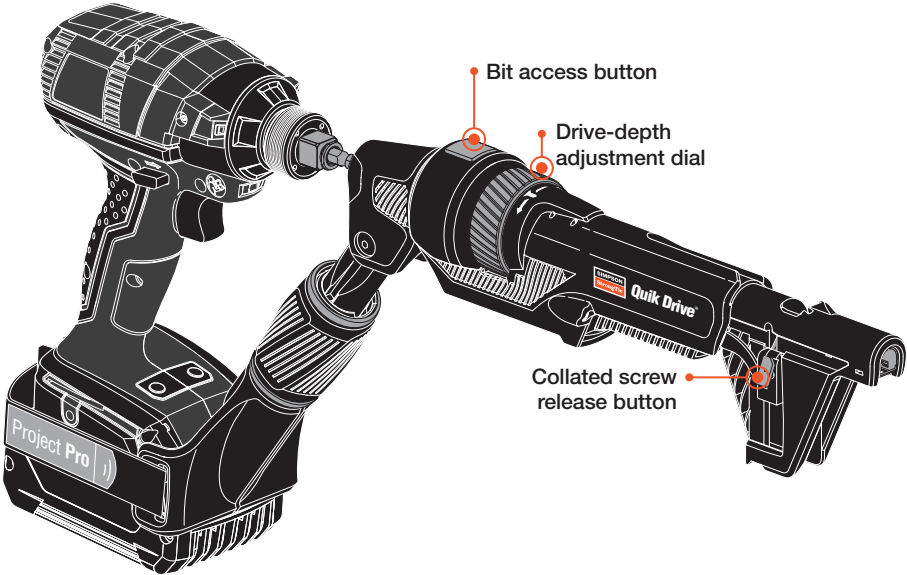
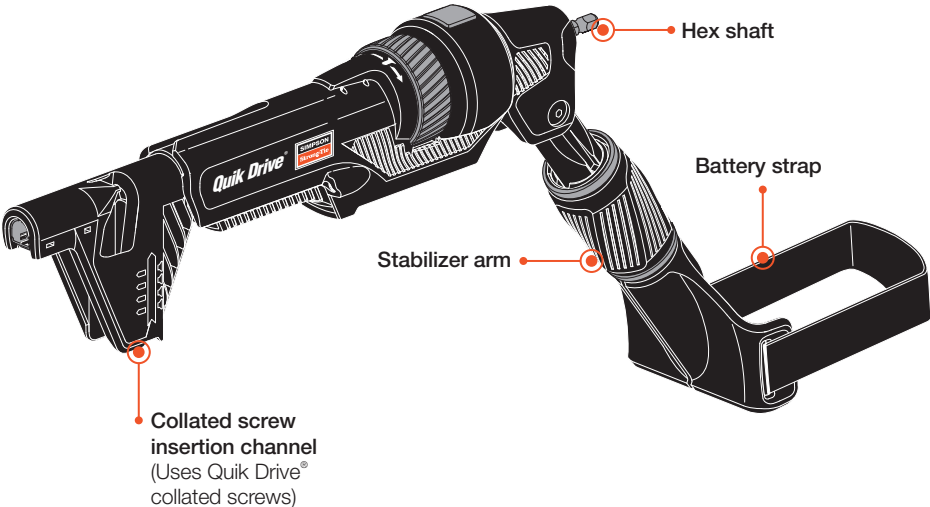
*Australia*



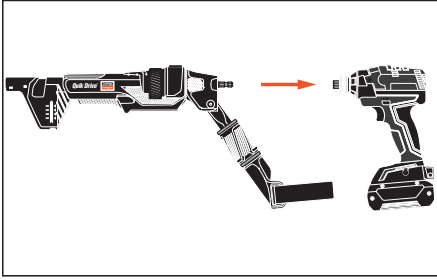
*New Zealand*



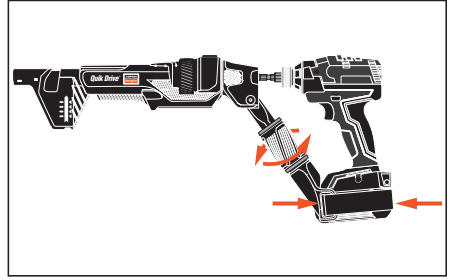
# Project PRO™ Features



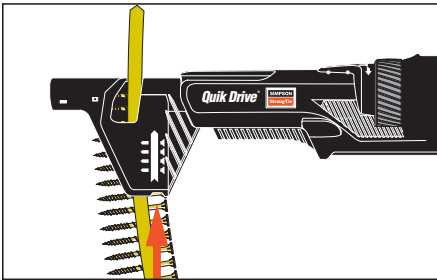
# Project PRO™ Tool Setup Steps



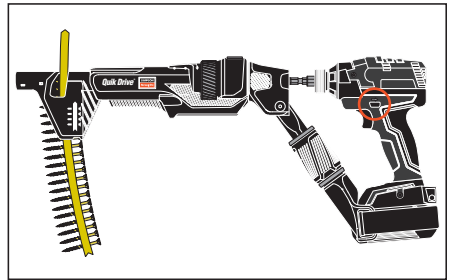
1. Attach the tool to your driver motor of choice. Insert into driver chuck and tighten.



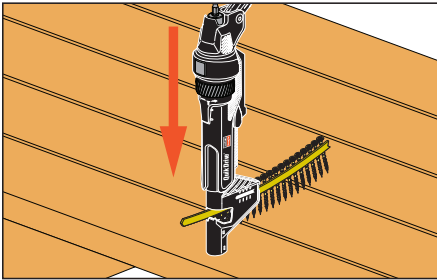
2. Adjust length of stabilizer arm as needed. Affix strap around battery so that the strap is in line with the battery. Tighten stabilizer arm.



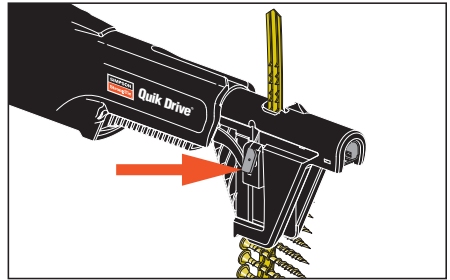
3. Insert Quik Drive® collated fastener strip. Push "arrow point" end in first until it clicks in place.



4. Set forward/reverse switch to forward.

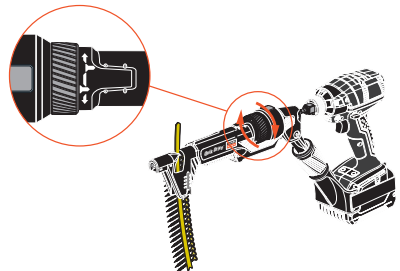


5. Pull the trigger and then push down on the driver motor and tool until the screw head is seated. **Recommendation:** if countersinking is required, drive screws into scrap material to set the proper depth.

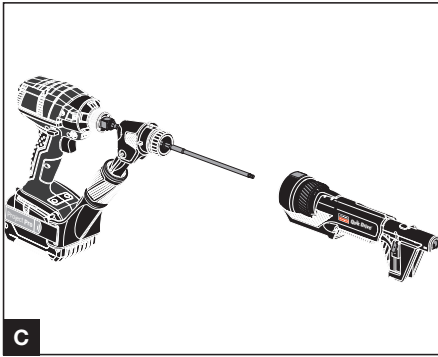
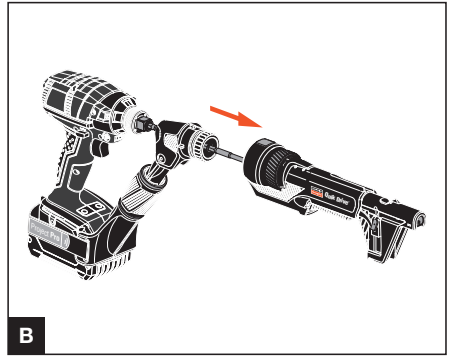
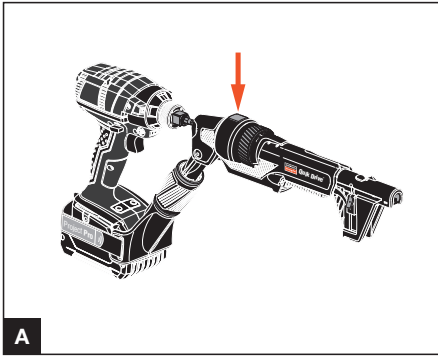


6. Collated strip removal. To remove collated strip, depress collated screw release button and pull strip down to remove.

**Note:** To test the countersink depth, rotate the drive-depth adjustment dial in either direction to increase or decrease the fastening depth until the proper depth is reached.

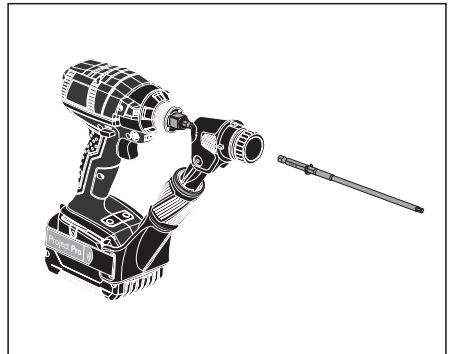
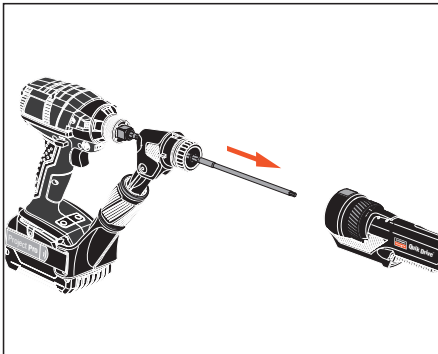


# Project PRO™ Bit Replacement



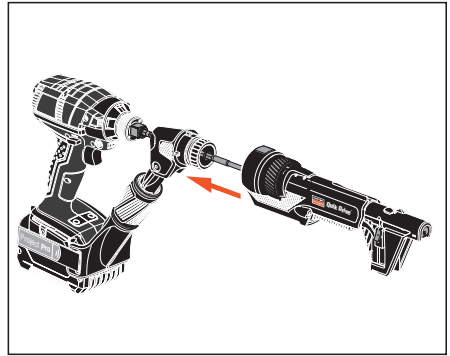
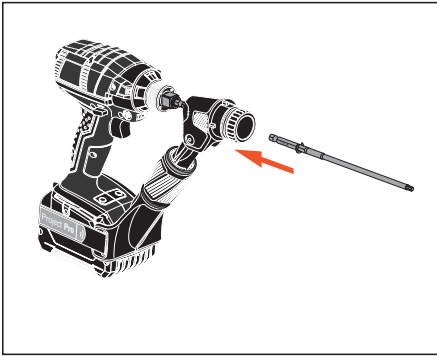
1. Depress the bit access button (A) and pull the Project PRO body away from its handle (B,C).

**Note:** In this configuration, with the Project PRO body removed, one can use the bit, as is, to secure screws that have not been fastened completely into the material or to remove screws.



2. Pull bit out of handle.

# Project PRO™ Bit Replacement



3. Push bit back into the handle receptor until you hear it click. Replace Project PRO body by snapping it back into place.

*Australia*



For more information and detailed instructions on the Project PRO system, please scan the QR code.

*New Zealand*



## Limited Warranty

This 1-Year Limited Warranty applies to all Project PRO Products (defined below) purchased after the Effective Date while this 1-Year Limited Warranty remains in effect. For purchases after the Effective Date, please consult <https://strongtie.com.au/warranty> or <https://strongtie.co.nz/warranty>, as this 1-Year Limited Warranty may be updated by Simpson Strong-Tie from time to time. All future purchases of Project PRO Products are subject to the terms of the Project PRO 1-Year Limited Warranty in effect as of the purchase date.

As used herein, "Project PRO Products" means the Project PRO tool attachment products; provided, however, that the Project PRO Products do not include any screwdriver motors or any screws, screwstrips or other fasteners. All Simpson Strong-Tie screws, screwstrips and fasteners used in connection with the Project PRO Products are covered by the Simpson Strong-Tie Limited Warranty that applies to all products other than those Simpson Strong-Tie products that have a separate Limited Warranty applicable to such products. The Project PRO Products are available for use with a variety of screwdriver motors, which are not manufactured by Simpson Strong-Tie. As a result, the screwdriver motor is exclusively warranted by the screwdriver motor manufacturer and not by Simpson Strong-Tie. Simpson Strong-Tie does not warrant, and assumes no liability for the operation or functionality of, the screwdriver motor.

This 1-Year Limited Warranty must be read in conjunction with all applicable General Notes, Terms & Conditions of Sale, and Corrosion Resistance information. This can be found on the [strongtie.com.au](https://strongtie.com.au) and [strongtie.co.nz](https://strongtie.co.nz) websites, or on the product package, label or product manual. All of this information is referred to collectively as the "Simpson Strong-Tie Documentation." All applicable Strong-Tie Documentation must be carefully reviewed each time any Project PRO Product is used.

Simpson Strong-Tie warrants, to the original purchaser only, that each Project PRO Product will be free from substantial defects in materials, manufacturing and design for one (1) year following the date of purchase of the Project PRO Product, if properly stored, maintained and used in accordance with the Simpson Strong-Tie Documentation.

This 1-Year Limited Warranty is void and does not apply to any (a) Project PRO Product purchased from an unauthorized dealer, retailer or distributor, (b) Project PRO Product deterioration or damage due to environmental conditions or inadequate or improper handling, transportation, storage or maintenance, (c) cosmetic defects, including discoloration, (d) failure or damage caused by improper operation or use, (e) use of a Project PRO Product in temperatures or environmental conditions outside the ranges specified for such Project PRO Product in any applicable Simpson Strong-Tie Documentation, (f) use of a Project

# Limited Warranty

PRO Product outside of its intended use, (g) normal wear and tear, (h) failure or damage caused by the use of a Project PRO Product with any screws, screwstrips, fasteners, products or accessories other than authentic Simpson Strong-Tie screws and screwstrips for which the Project PRO Product is intended to be used, (i) Project PRO Product that was subjected to negligence or excessive or improper use, including any use not in accordance with the Simpson Strong-Tie Documentation, (j) failure or damage caused by any third-party products, building materials or components, (k) modified Project PRO Product, or any nonstandard use or application of a Project PRO Product, or (l) failure or damage caused by the gross negligence, willful misconduct, or other acts or omissions of the user of the Project PRO Product.

Although Project PRO Products are designed for a wide variety of uses, Simpson Strong-Tie assumes no liability for confirming that any Project PRO Product is appropriate for an intended use, and each intended use of a Project PRO Product must be reviewed and approved by qualified professionals. Each Project PRO Product is designed for the uses listed in the Simpson Strong-Tie Documentation, subject to the limitations and other information set forth in the Simpson Strong-Tie Documentation.

Project PRO Product demonstrations, training, operator examinations, technical and customer support and other services provided by Simpson Strong-Tie are based on Simpson Strong-Tie's present knowledge and experience, are conducted for illustrative or instructive purposes only, do not constitute a warranty of Project PRO Product capabilities, specifications or installation and do not modify the applicable 1-Year Limited Warranty for Project PRO Products set forth herein. Any services provided by Simpson Strong-Tie are provided without any representation or warranty of any kind, and Simpson Strong-Tie assumes no liability for any representations or statements made as part of such Project PRO Product demonstrations, training, operator examinations or other services. In the event of any inconsistency between any information provided during any such demonstration or service, and the information in any applicable Simpson Strong-Tie Documentation, the information in the Simpson Strong-Tie Documentation shall govern. In the event of any inconsistency between any information provided on the Website, and the information in any other Simpson Strong-Tie Documentation, the information on the Website shall govern.

**ALL WARRANTY OBLIGATIONS OF SIMPSON STRONG-TIE SHALL BE LIMITED, AT SIMPSON STRONG-TIE'S ABSOLUTE DISCRETION, TO EITHER REPAIRING THE DEFECTIVE Project PRO PRODUCT OR PROVIDING A REPLACEMENT FOR THE DEFECTIVE PROJECT PRO PRODUCT. THIS REMEDY CONSTITUTES SIMPSON STRONG-TIE'S SOLE OBLIGATION AND LIABILITY AND THE SOLE AND EXCLUSIVE REMEDY OF PURCHASER AND, WITHOUT LIMITING THE GENERALITY OF THE FOREGOING, EXCLUDES ANY LABOR OR OTHER COSTS INCURRED IN CONNECTION WITH A WARRANTY CLAIM. PURCHASER ASSUMES ALL RISK AND LIABILITY ASSOCIATED WITH ANY USE OF THE PROJECT PRO PRODUCT, INCLUDING BUT NOT LIMITED TO SUITABILITY FOR ITS INTENDED USE.**

**THE 1-YEAR LIMITED WARRANTY HEREIN IS EXPRESSLY IN LIEU OF ALL OTHER WARRANTIES, AND, WHERE LAWFUL, SIMPSON STRONG-TIE DISCLAIMS ALL OTHER WARRANTIES, INCLUDING BUT NOT LIMITED TO IMPLIED WARRANTIES OF MERCHANTABILITY AND FITNESS FOR A PARTICULAR PURPOSE AND WARRANTIES ARISING FROM COURSE OF PERFORMANCE, COURSE OF DEALING OR TRADE USAGE. IN NO EVENT WILL SIMPSON STRONG-TIE BE LIABLE FOR INCIDENTAL, CONSEQUENTIAL, PUNITIVE OR SPECIAL DAMAGES OR DIRECT OR INDIRECT LOSS OF ANY KIND, INCLUDING BUT NOT LIMITED TO PROPERTY DAMAGE, DEATH AND PERSONAL INJURY. SIMPSON STRONG-TIE'S ENTIRE LIABILITY IS LIMITED TO THE PURCHASE PRICE OF THE DEFECTIVE PROJECT PRO PRODUCT. DIFFERENT COUNTRIES OR STATES MAY NOT ALLOW LIMITATIONS ON HOW LONG AN IMPLIED WARRANTY LASTS, OR THE EXCLUSION OR LIMITATION OF INCIDENTAL OR CONSEQUENTIAL DAMAGES, SO THE ABOVE LIMITATION OR EXCLUSION MAY NOT APPLY TO YOU. THIS WARRANTY GIVES YOU SPECIFIC LEGAL RIGHTS, AND YOU MAY ALSO HAVE OTHER RIGHTS WHICH VARY FROM STATE TO STATE.**

To obtain warranty service, you must contact Simpson Strong-Tie promptly via our contact page at <https://strongtie.com.au/contact> or <https://strongtie.co.nz/contact> regarding any potential claim, no later than sixty (60) days after you discover the potential claim. Upon request by Simpson Strong-Tie, you must provide Simpson Strong-Tie with proof of purchase and written records evidencing, in reasonable detail, the date and manner of any servicing or prior repair of the Project PRO Products, as applicable. Simpson Strong-Tie may, in its absolute discretion, request that you return the allegedly defective Project PRO Products to Simpson Strong-Tie, in which case Simpson Strong-Tie will issue a Return Materials Authorization (RMA), which must be completed and returned to Simpson Strong-Tie with the Project PRO Product. Simpson Strong-Tie is not responsible for any costs or expenses incurred in connection with any inspection of the Project PRO Products (other than by Simpson Strong-Tie employees) or in connection with the return of Project PRO Products to Simpson Strong-Tie, but Simpson Strong-Tie shall bear all costs and expenses incurred in connection with the shipment of replacement Project PRO Products in the event that Simpson Strong-Tie determines that the Project PRO Product should be replaced in accordance with this 1-Year Limited Warranty. If Simpson Strong-Tie elects to repair or replace the Project PRO Product, Simpson Strong-Tie shall have a reasonable time to do so. The repaired or replaced Project PRO Product is warranted under the terms of this 1-Year Limited Warranty.

No one is authorized to change or add to this 1-Year Limited Warranty. If at any time Simpson Strong-Tie does not enforce any of the terms, conditions or limitations stated in this 1-Year Limited Warranty, Simpson Strong-Tie shall not have waived the benefit of said term, condition or limitation and can enforce it at any time. This 1-Year Limited Warranty is extended only to the original purchaser and is not transferrable. It is not intended nor shall it be construed to create rights in any third party.