

RR47

Ridge Rafter Connector



Interlocking top-flange ridge rafters which eliminate interference and helps ensure rafter alignment

The RR47 Ridge Rafter Connector provides a solid connection between rafter and ridge beam. The RR47 provides alignment control and correct nailing locations.

Features & Benefits

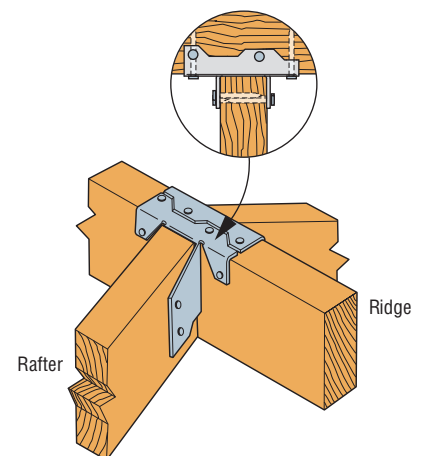
- Interlocking top-flange design eliminates interference and helps ensure rafter alignment.
- May be used with rafters sloped up to 30°.
- For face-mount applications, the top flange can be bent up straight and nailed off.

Material

- Carbon steel 1.2mm thick

Finish

- Z275 Zinc Galvanised



Typical RR installation

Simpson Strong-Tie® Australia
Call **1300 STRONG** (1300 787 664)
www.strongtie.com.au

Simpson Strong-Tie® New Zealand
Call **09 477 4440**
www.strongtie.co.nz

Simpson Strong-Tie Limited Warranty: For the Limited Warranty that applies to Simpson Strong-Tie products, please consult www.strongtie.com.au/warranty or www.strongtie.co.nz/warranty. To obtain a copy of the Limited Warranty, contact us at info.au@strongtie.com or info.nz@strongtie.com, or at the number provided here. The Limited Warranty contains important disclaimers, limitations and exclusions, and applies only if the products have been properly specified, installed, maintained, and used in accordance with the design limits and the structural, technical, and environmental specifications in the Simpson Strong-Tie Documentation. All future purchases of Simpson Strong-Tie products are subject to the terms of the Limited Warranty in effect as of the purchase date.

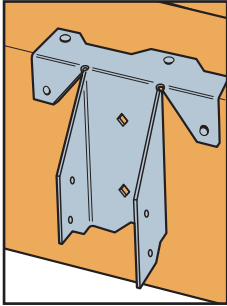
RR47

Ridge Rafter Connector

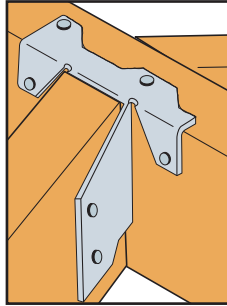


Typical Installation

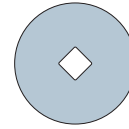
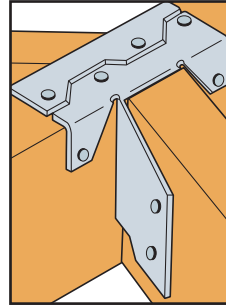
STEP 1: Attach RR47 to ridge beam filling all nail holes into ridge beam.



STEP 2: Position Rafter into RR47 filling all nail holes into rafter.



STEP 3: Repeat steps 1 to 2 on the opposite side to align rafters.



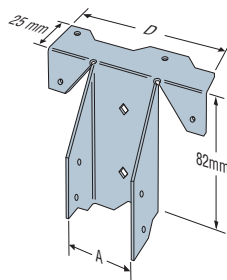
Diamond Holes

Purpose: To temporarily fasten a connector to make installing it easier.

Fill Requirements: None.

Product Information

Model No.	Min. Rafter Size (mm) W x H	Dimensions		Fasteners (No. – Length X Dia., mm)		Box Qty	Weight Ea	Barcode Ea	Box Barcode	Box Dim. (W x L x H) and weight
		A	D	Header	Rafter					
RR47	45 x 140	47	112	4 – 38 x 3.75	4 – 38 x 3.75	75	100g	5015364337537	5015364876548	33 x 35 x 25cm, 7.5kg



Partner Products

SCN SMOOTH-SHANK CONNECTOR Nail

Your Best Collated Solution for Simpson Strong-Tie® Connectors

To ensure you're getting the highest loads out of Simpson Strong-Tie connectors, use Strong-Drive® Structural Connector nails.

- Full round head $\frac{5}{16}$ " (7.94 mm) diameter with embossed size identification
- Smooth Shank,
- Diamond point
- Hot-dip galvanised (HDG).



10 38 mm x 3.75 mm

Model Number	Box Qty
N10DHDG-R	120
N10D5HDG-R	600

Designed and Tested

Simpson Strong-Tie® connectors have been designed and tested for use with specific types and sizes of nails or screws.

The specified fastener size, type and quantity must be installed in the correct holes on the connector to achieve published loads.

Other factors such as the fastener material and finish are also important as the use of incorrect fasteners or misinstallation can compromise the connector performance and could lead to failure. Simpson Strong-Tie has a broad range of fasteners designed to suit our range of connectors.

Simpson Strong-Tie® Australia
Call **1300 STRONG** (1300 787 664)
www.strongtie.com.au

Simpson Strong-Tie® New Zealand
Call **09 477 4440**
www.strongtie.co.nz

Simpson Strong-Tie Limited Warranty: For the Limited Warranty that applies to Simpson Strong-Tie products, please consult www.strongtie.com.au/warranty or www.strongtie.co.nz/warranty. To obtain a copy of the Limited Warranty, contact us at info.au@strongtie.com or info.nz@strongtie.com, or at the number provided here. The Limited Warranty contains important disclaimers, limitations and exclusions, and applies only if the products have been properly specified, installed, maintained, and used in accordance with the design limits and the structural, technical, and environmental specifications in the Simpson Strong-Tie Documentation. All future purchases of Simpson Strong-Tie products are subject to the terms of the Limited Warranty in effect as of the purchase date.