

DTC & JC

DOUBLE-TRIPLE CONNECTOR (DTC) & JOIST CONNECTOR (JC)

SIMPSON

Strong-Tie

SCAN FOR MORE INFORMATION

Australia

New Zealand



Helps stabilise both sides of the rafters or joists

FREP (Fibre Reinforced Engineered Polymer) Double-Triple Connector & Joist Connector are corrosion-proof hangers which makes them an affordable alternative to stainless steel and is perfect for outdoor corrosive environments.

Features and Benefits

- Strong, good UV stability and paintable.
- Reduces potential splitting and internal moisture due to skew nailing.
- Ventilation ridges improve airflow to reduce moisture build-up.
- The Joist Connector allows fixing to and stabilizes both sides of your joists to your bearer.
- Will not rust – can be used in corrosive salt spray zones.
- Can be fixed with N8 Hot Dipped Galvanised or SSNA8 Stainless Steel collated or loose 38mm x 3.32mm connector nails or SD#9 Connector Screws.
- Aesthetic design for visually exposed decks or pergolas

Material:

- Fibre Reinforced Engineered Polymer (FREP)

Applications:

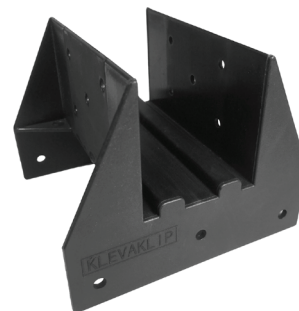
- DTC45 - To attach 45mm width joist to most size bearers
- JC9045 - To attach 45mm width joist to 90mm width bearer

Important: Use only 38mm x 3.32mm diameter N8 galvanised connector nails or SSNA8/T10 stainless steel equivalents when fixing the FREP joist hangers to bearers.

Double Triple Connector



Joist Connector

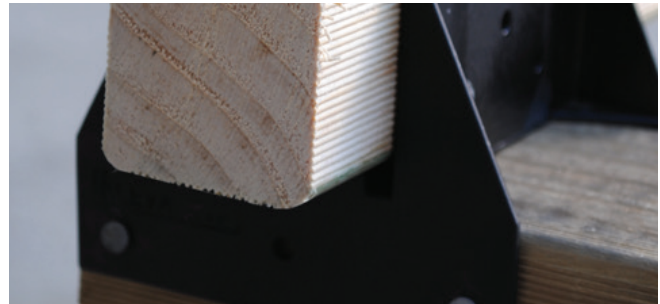


Simpson Strong-Tie Australia
Call **1300 STRONGTIE (1300 787 664)**
www.strongtie.com.au

Simpson Strong-Tie New Zealand
Call **09 477 4440**
www.strongtie.co.nz

Simpson Strong-Tie Limited Warranty: For the Limited Warranty that applies to Simpson Strong-Tie products, please consult www.strongtie.com.au/warranty or www.strongtie.co.nz/warranty. To obtain a copy of the Limited Warranty, contact us at info.au@strongtie.com or info.nz@strongtie.com, or at the number provided here. The Limited Warranty contains important disclaimers, limitations and exclusions, and applies only if the products have been properly specified, installed, maintained, and used in accordance with the design limits and the structural, technical, and environmental specifications in the Simpson Strong-Tie Documentation. All future purchases of Simpson Strong-Tie products are subject to the terms of the Limited Warranty in effect as of the purchase date.

Installation



Double Triple Connector

Double Triple Connector to bearer:

2 fixings on one side of bearer and 2 fixings on top of bearer.

Double Triple Connector to joist:

2 fixings on each side of joist

Joist Connector

Attach Connector Nails (top left and right nails first). Use either loose or CCN64 collated nailer.

Alternatively, use SD9 Connector Screws.

Approved Fixings: 38mm x 3.32mm N8/SSNA8 Connector Nails (collated or loose) OR SD#9 Connector Screws.

Note: Stainless steel equivalents of the above should be used in high corrosion areas.

Durability:

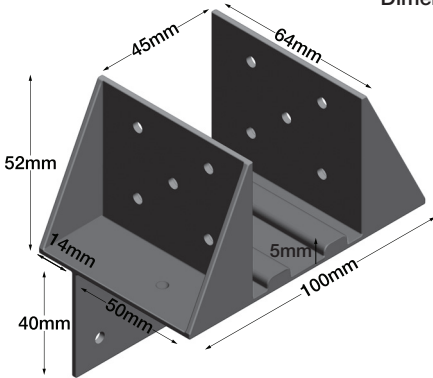
UV-A FREP material has undergone 2000hr laboratory UV exposure testing compliant with ASTM D790, which includes maintaining a temperature of 60°C and high humidity. FREP Product Installed in an outdoor structure - limited warranty 25 years.

Product Information

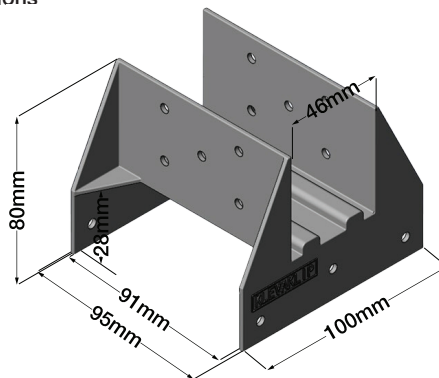
Model No.	Timber Size	Material	Barcode	Ctn Qty	Carton Dimensions			
					W (mm)	L (mm)	H (mm)	Weight (g)
DTC45	Most size Bearers to 45mm width Joist	Fibre Reinforced Engineered Polymer (FREP)	707392025467	40	160	510	280	2,500
DTC45-R10*			707392025450	10	200	260	210	800
JC9045	90mm width Bearer to 45mm width Joist		707392025504	48	300	380	260	3,000
JC9045-R24*			707392025498	24	300	380	270	1,800

*Not available in New Zealand

Dimensions



DTC45 - Double Triple Connector



JC9045 - Joist Connector

Packaging



DTC45



JC9045



DTC45-R10



JC9045-R24

Partner Products:

HDG - 38 x 3.32mm Nails (N8D)



316SS - 38 x 3.32mm Nails (A8)



CCN64 Collated Connector Nailer



HDG - 38 x 3.32mm Nails (N8HDG)



316SS - 38 x 3.32mm Nails (T10)



Mech. Gal. - #9 x 38mm (SD9)



316SS - #9 x 38mm (SD9SS)



BITHEXR14-R1



Simpson Strong-Tie Australia
 Call **1300 STRONGTIE (1300 787 664)**
www.strongtie.com.au

Simpson Strong-Tie New Zealand
 Call **09 477 4440**
www.strongtie.co.nz

Simpson Strong-Tie Limited Warranty: For the Limited Warranty that applies to Simpson Strong-Tie products, please consult www.strongtie.com.au/warranty or www.strongtie.co.nz/warranty. To obtain a copy of the Limited Warranty, contact us at info.au@strongtie.com or info.nz@strongtie.com, or at the number provided here. The Limited Warranty contains important disclaimers, limitations and exclusions, and applies only if the products have been properly specified, installed, maintained, and used in accordance with the design limits and the structural, technical, and environmental specifications in the Simpson Strong-Tie Documentation. All future purchases of Simpson Strong-Tie products are subject to the terms of the Limited Warranty in effect as of the purchase date.