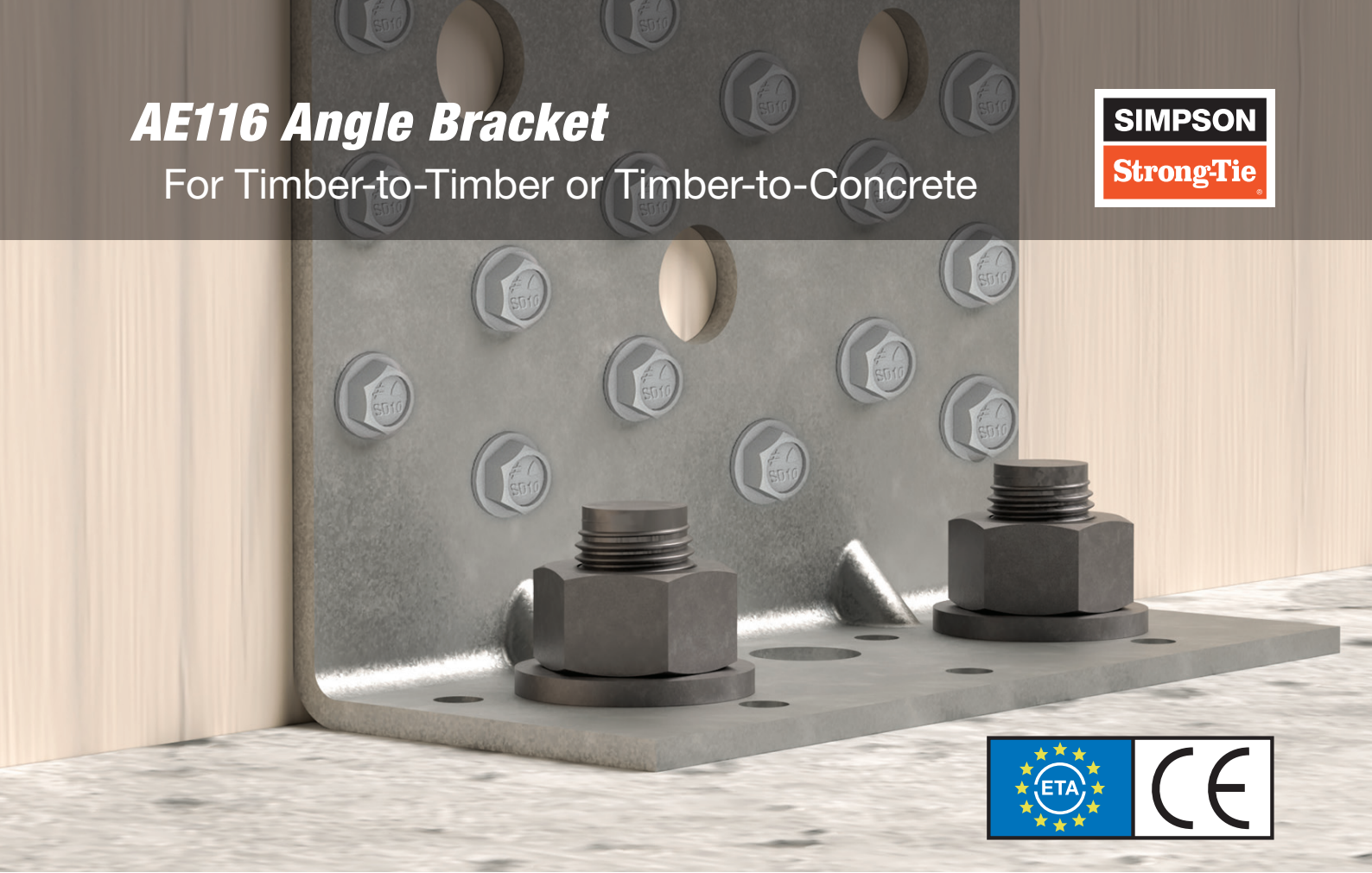


AE116 Angle Bracket

For Timber-to-Timber or Timber-to-Concrete



Connect cross-laminated timber (CLT) wall panels to CLT floors or concrete slabs

The AE116 is a versatile angle bracket designed for fixing CLT panels to concrete / timber floors and parapet walls. Highly versatile, it is particularly resistant to shear loads thanks to its optimised geometry.

Materials

- Carbon Steel

Materials

- Z275 Galvanised

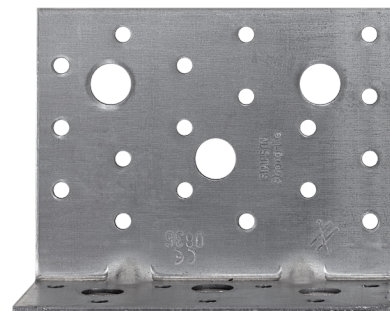
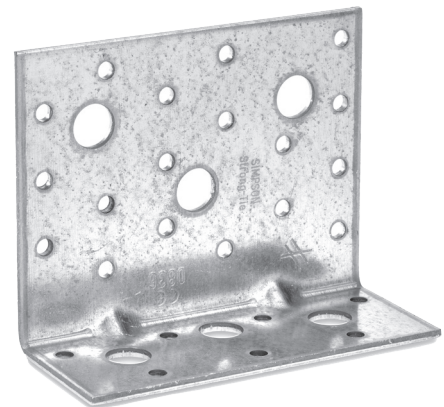


Features & Benefits

- One-piece connector which can load in all directions
- 116mm width with 48mm and 90mm flange depth
- 3mm thick carbon steel
- Reinforcing ribs provide enhanced performance

Applications

- Cross-Laminated Timber (CLT)
- Laminated Veneer Lumber (LVL)
- Glued Laminated Timber (Glulam)
- Engineered Wood Products (EWP)
- General Timber Frame Connections



Simpson Strong-Tie® Australia
Call **1300 STRONGTIE** (1300 787664)
www.strongtie.com.au

Simpson Strong-Tie® New Zealand
Call **09 477 4440**
www.strongtie.co.nz

Simpson Strong-Tie Limited Warranty: For the Limited Warranty that applies to Simpson Strong-Tie products, please consult www.strongtie.com.au/warranty or www.strongtie.co.nz/warranty. To obtain a copy of the Limited Warranty, contact us at info.au@strongtie.com or info.nz@strongtie.com, or at the number provided here. The Limited Warranty contains important disclaimers, limitations and exclusions, and applies only if the products have been properly specified, installed, maintained, and used in accordance with the design limits and the structural, technical, and environmental specifications in the Simpson Strong-Tie Documentation. All future purchases of Simpson Strong-Tie products are subject to the terms of the Limited Warranty in effect as of the purchase date.

AE116 Angle Bracket

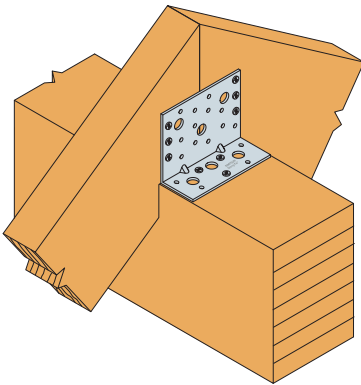
For Timber-to-Timber or Timber-to-Concrete



Installation

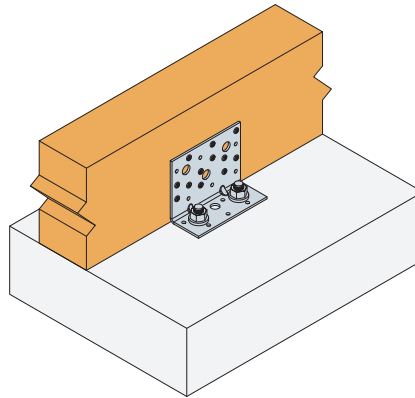
Timber to Timber

CNA 4.0 x 60mm or SD#10 x 64mm fixed to all timber members as shown.



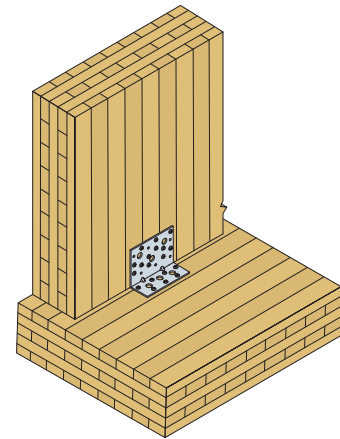
Timber to Concrete

CNA 4.0 x 60mm (or SD#10 x 64mm) timber and two M12 bolts to concrete.



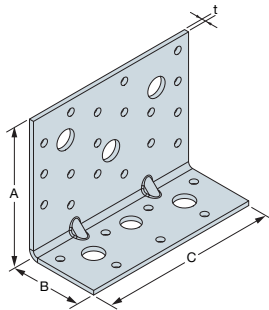
CLT Beam to CLT Beam

• CNA 4.0 x 60mm or SD#10 x 64mm fixed to all members as shown.



Product Information

Model No.	Size (mm)	Box Qty	Individual Barcode	Carton Barcode	Weight ea	Carton Dim. (W x L x H) and weight
AE116	90 (A) x 48 (B) x 116 (C) x 3 (t)	50	5701953351168	5701953360597	320g	180 x 395 x 165cm, 16.37kgs



Designed and Tested

Simpson Strong-Tie® connectors have been designed and tested for use with specific types and sizes of nails or screws. The specified fastener size, type and quantity must be installed in the correct holes on the connector to achieve published loads. Other factors such as the fastener material and finish are also important as the use of incorrect fasteners or misinstallation can compromise the connector performance and could lead to failure. Simpson Strong-Tie has a broad range of fasteners designed to suit our range of connectors.

Compatible Fasteners

Model No.	Size	Box Qty	Shank	Point	Head Type	Material & Finish
SD10212	10g x 64mm	100	Serrated Threads	Sharp	¼" Hex Head	Mechanically Galvanised
CNA4.0X60	4.0 x 60mm	250	Annular Rings	Diamond	Full Round	Carbon Steel, Zinc Plated



Simpson Strong-Tie® Australia
Call **1300 STRONGTIE** (1300 787664)
www.strongtie.com.au

Simpson Strong-Tie® New Zealand
Call **09 477 4440**
www.strongtie.co.nz

Simpson Strong-Tie Limited Warranty: For the Limited Warranty that applies to Simpson Strong-Tie products, please consult www.strongtie.com.au/warranty or www.strongtie.co.nz/warranty. To obtain a copy of the Limited Warranty, contact us at info.au@strongtie.com or info.nz@strongtie.com, or at the number provided here. The Limited Warranty contains important disclaimers, limitations and exclusions, and applies only if the products have been properly specified, installed, maintained, and used in accordance with the design limits and the structural, technical, and environmental specifications in the Simpson Strong-Tie Documentation. All future purchases of Simpson Strong-Tie products are subject to the terms of the Limited Warranty in effect as of the purchase date.