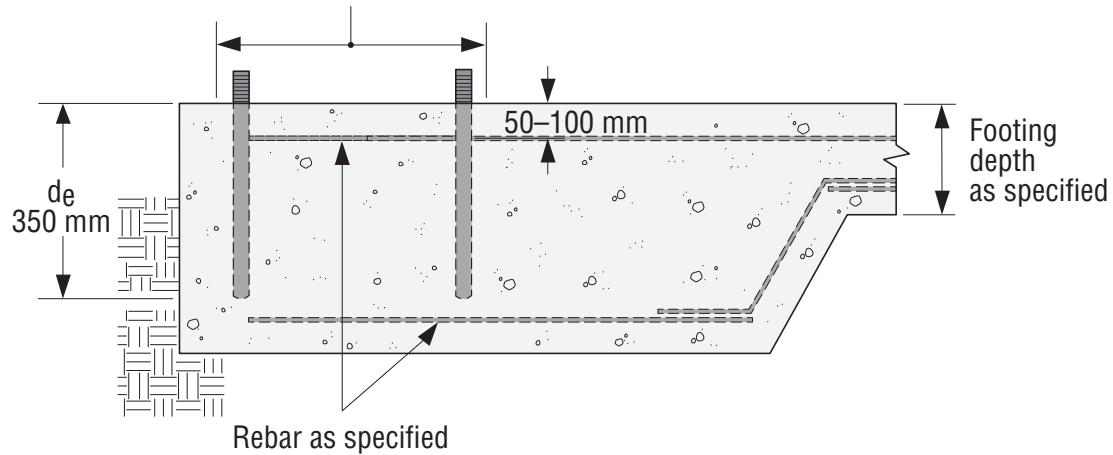
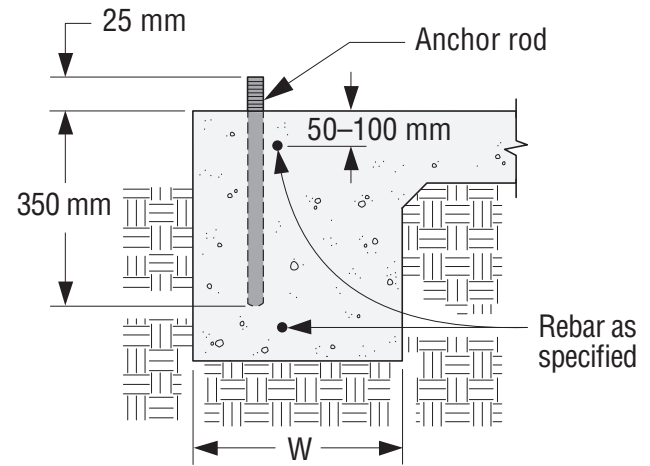


Note: Post-installed anchoring all-thread must be installed with Simpson Strong-Tie SET-XP® adhesives.

275 mm min. for 240 mm nominal column
325 mm min. for 300 mm nominal column



Elevation View - Garage Curb



Section View

SIMPSON Strong-Tie®
Strong-Wall® Site-Built Portal Frame System
Slab Anchorage Details